

C810-C Cast Steel, C810-B Stainless Steel Series 2/2 Way Electric Ball Valve (Open/Close Type)

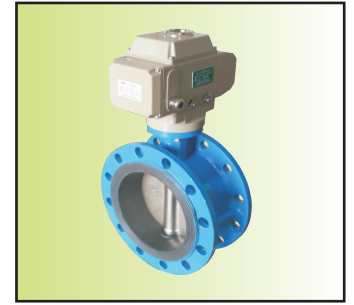
Features

1. Mounted at any angle
2. With emergency manual device
3. Motor with overheating protection device
4. With visual valve position indicator
5. Valve position signal output (contact or mimic signal output)
6. No kinematic viscosity & flow direction limit for the medium
7. Valve body: Cast Iron (code: C), Cast steel (code: C), SS 304 (code: B)
SS 316 (code: R), SS316L (code: L)
8. Seal material: III--- Butyronitrile Rubber (NBR, code: N)
III --- Normal: ethylene-propylene rubber (EPDM, code: E),
Special: Fluoro Rubber (VITON, code: V), Silicone Rubber (code: G)
IV--- Fluoroplastic (PTFE, code: P)
V--- Body Material + Soft Graphite (code: bm)

VI--- Fluoroplastic (PTFE, code: P) --- Just limited for stainless steel valve body
VII--- Stainless Steel + Soft Graphite (code: bm) --- Just limited for stainless steel valve body
9. Control mode and signal output: C810 --- Standard open/close type (active contact output) C810-◇ --- Passive contact output type
C810-α --- Open degree C810-☆ --- Valve position mimic signal output
C810-▲ --- with thermal failure signal output C8104 --- Smart adjusting type

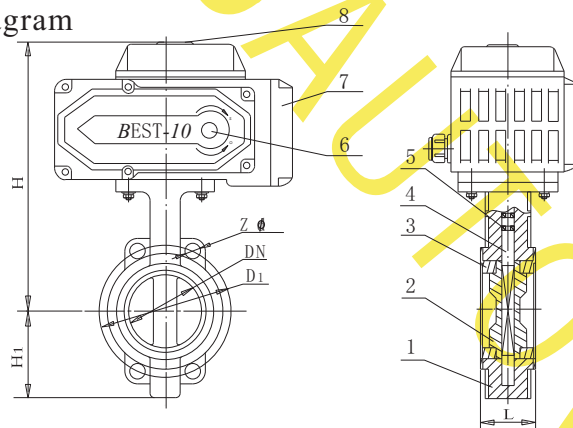


C810-100Cd II 02-CG10◇



C810-200CF II 02-CG50

Structure Diagram



1. Valve Body
2. Valve Plate
3. Valve Seat
4. Stem
5. O-Ring
6. Emergency Manual Device
7. Electric Actuator
8. Visual Valve Position Indicator

Dimension

Unit: mm

Dimension	Wafer (0.6/1.0/1.6MPa)									Dimension	Wafer (0.6/1.0/1.6MPa)								
	L	H1	H	6bar		10bar		16bar			L	H1	H	6bar		10bar		16bar	
				D1	Z-φd	D1	Z-φd	D1	Z-φd					D1	Z-φd	D1	Z-φd	D1	Z-φd
DN50	43	80	290	110	4-14	125	4-18	125	4-18	DN300	78	242	640	395	4-22	400	4-22	410	4-26
DN65	46	89	302	130	4-14	145	4-18	145	4-18	DN350	78	267	720	445	4-22	460	4-22	470	4-26
DN80	46	95	310	150	4-18	160	4-18	160	4-18	DN400	102	308	800	495	4-22	515	4-26	525	4-30
DN100	52	114	335	170	4-18	180	4-18	180	4-18	DN450	115	328	880	550	4-22	565	4-26	585	4-30
DN125	56	127	365	200	4-18	210	4-18	210	4-18	DN500	127	360	905	600	4-22	620	4-26	650	4-33
DN150	56	139	405	225	4-18	240	4-22	240	4-22	DN600	155	460	1090	705	4-26	725	4-30	770	4-36
DN200	60	175	490	280	4-18	295	4-22	295	4-22	DN700	165	520	1150	810	4-26	840	4-30	840	4-36
DN250	68	203	570	335	4-18	350	4-22	355	4-26	DN800	190	590	1280	920	4-30	950	4-33	950	4-39

Note: 1. For more info about the dimension of Flange type, please refer to page 108-109 pneumatic butterfly valve
2. Bolt hole center distance (center circle diameter) of butterfly valve are identical to the matched flange.